

# REPAIR PARTS

**Model:**  
**QS270**

**SPECIFICATIONS:**

Year of Intro 1996  
 Thrust 30LBS  
 Volts 12VDC  
 Amp Draw 0 to 48 amps  
 Mount 31 Transom  
 Speeds 5/2

**QUICK REFERENCE PARTS GUIDE:**

Rotary Switch KT150-02  
 Relay TT128-02  
 ON/OFF Switch TT3149-03

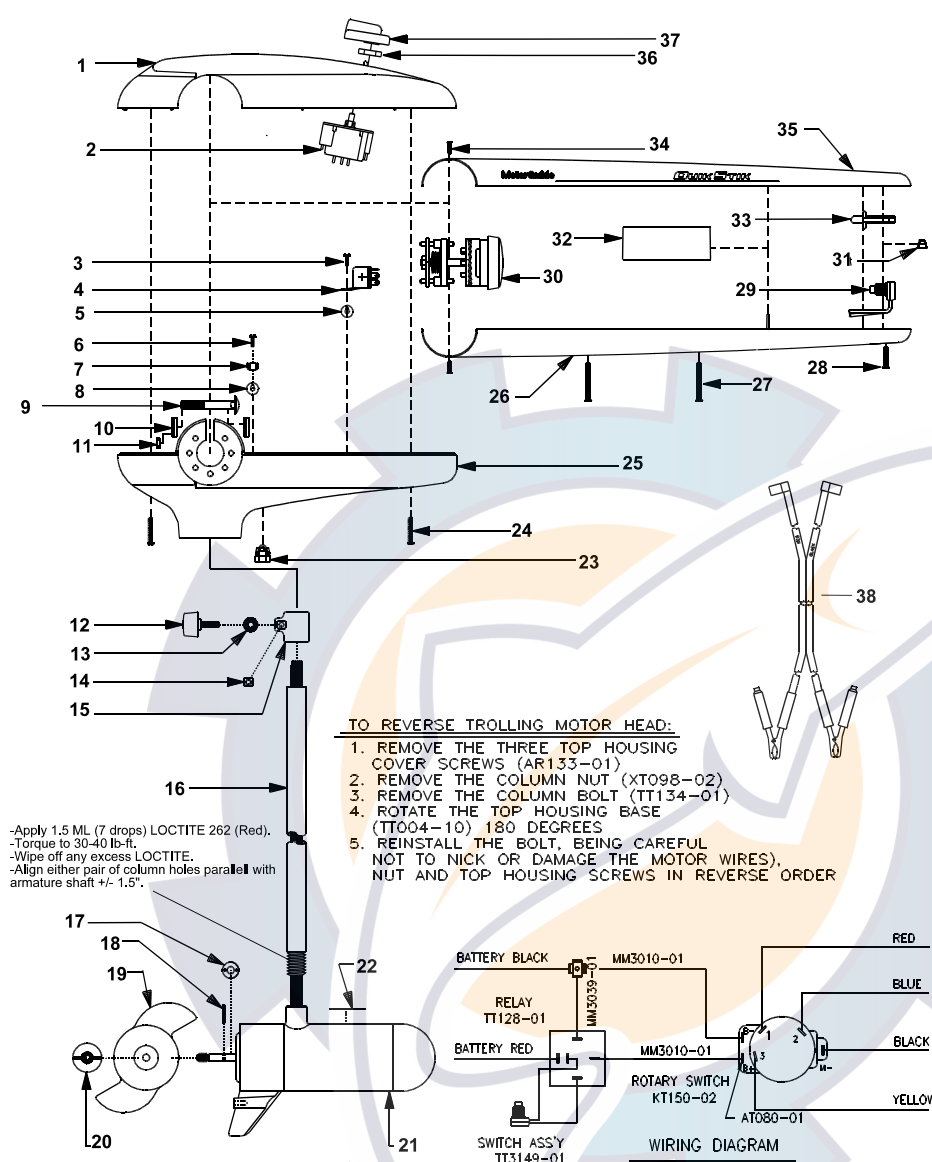
**PARTS ORDERING & TECH ASSISTANCE**

MotorGuide Consumer Relations  
 Phone 918-831-6989  
 Fax 800-982-8093

**Send Returned Goods to:**

MotorGuide  
 605 Hwy 12 West  
 Starkville, MS 39760

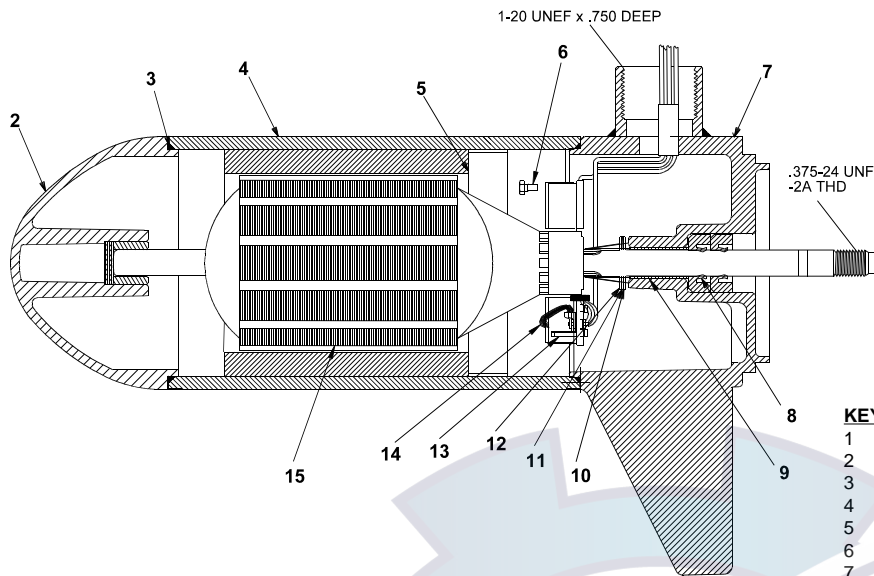
*Returned Goods must be accompanied with a Returned Goods Authorization. Contact MotorGuide Consumer Relations to obtain RGA.*



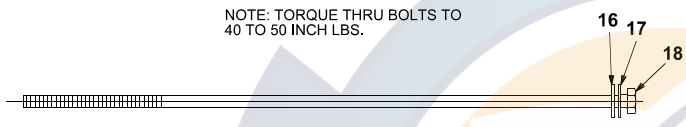
KEY#	PART#	DESCRIPTION	KEY#	PART#	DESCRIPTION
1	TT053-11	QS T/H COVER	26	FT072-02	LOWER HANDLE QS BLACK
2	KT150-02	ROTARY SWITCH	27	TT133-03	SCREW #6X1"
3	GR133-01	#10 X 1/2" SCREW	28	TT133-02	SCREW #6X.75
4	TT128-01	12 VOLT RELAY	29	TT3149-03	ON/OFF SWITCH ASY QS
5	TT098-03	ON SERT/PAL NUT	30	TT372-04	HANDLE/CLUTCH ASY QS
6	GR133-01	#10 X 1/2" SCREW	31	TT177-02	SWITCH BOOT
7	FT160-03	TERMINAL (4 PRONG)	32	FT057-05	N/A
8	TT098-03	ON SERT/PAL NUT	33	TT001-04	ACTUATOR ON/OFF
9	TT134-01	BOLT	34	TT133-01	SCREW #6X.437
10	TT171-04	CURVED WASHER	35	TT072-12	UPPER HANDLE PWR PLUS
11	XT098-02	NYLON LOCK NUT	36	AT098-01	PAL NUT
12	AR082-02	KNOB DEPTH ADJUSTMENT	37	TT082-06	ROTARY KNOB
13	AR171-01	COLUMN CLAMP WASHER	38	TT328-03	BATTERY CABLE ASSEMBLY
14	FR098-01	COLUMN SUPPORT NUT			
15	AR051-01	DEPTH ADJUSTMENT COLLAR	PARTS NOT ILLUSTRATED		
16	TT049-05	36" COLUMN FOR QUIK STIK		PT056-05	DECAL, TOP HOUSING
	FR049-19	42" COLUMN SS		MM5604	OWNERS MANUAL
17	AR175-01	MONOFILAMENT WASHER			
18	BR102-01	PROP DRIVE PIN			
19	AF124-10	3 BLADE NINJA PROP			
20	AR099-01	PROP NUT			
21	FF397-04	MOTOR			
22	ET060-04	LOWER UNIT DECAL BEAST			
23	GR019-01	BATTERY CABLE BUSHING			
24	AR133-01	8 X1-3/8 SCREW			
25	TT004-10	T/H BASE QS GENERIC			

LOWER UNIT BREAKDOWN

Model:  
**QS270**



NOTE: TORQUE THRU BOLTS TO 40 TO 50 INCH LBS.



KEY	QTY	DESCRIPTION	PART NO.
1	X	MOTOR	FF397-04
2	1	NOSE CAP	FF3212-01
3	2	O RING SEAL	HF217-01
4	1	HOUSING ASY	FF3210-01
5	1	RETAINER	JF233-01
6	2	BRUSH CARD SCREW	MR228-01
7	1	COMM CAP	FF3205-01
8	2	SHAFT SEAL	MR223-01
9	1	BEARING	MR206-01
10	1	NYLATRON WASHER	MR226-01
11	1	WASHER	MR227-01
12	1	E RING	MR219-02
13	2	BRUSH SPRINGS	MR214-02
14	1	BRUSH ASY LESS SPRING	SEE ITEM 7
15	1	ARMATURE 3"	FF3207-02
16	4	STATIC SEAL	MR222-01
17	4	THRU BOLT WASHER	MR216-01
18	2	THRU BOLT	MR218-05

WIRING

